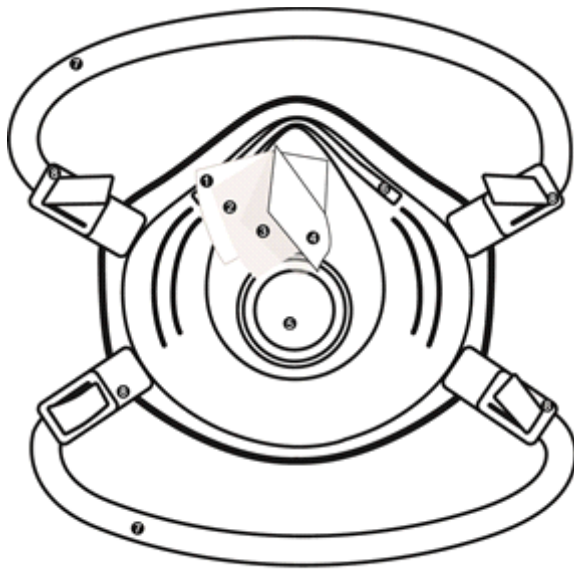
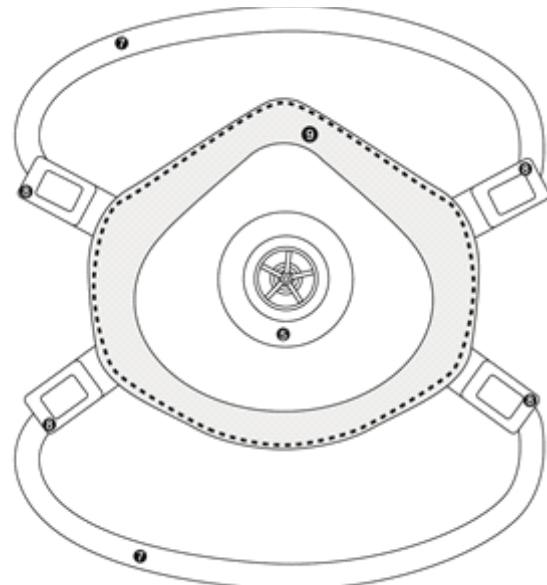


BM-033V



Front



Back

1. 180gsm spun lace non-woven fabric
2. 40g melt blow fabric
3. 40g melt blow fabric
4. 150gsm spunlace non-woven fabric
5. Breathing valve

6. Nose Bridge
7. Headband
8. Headband buckle
9. Sponge strip

Standard: EN 149:2001+A1:2009; FFP3

Style: Strap behind head

Filtration efficiency: Above 99%

Shelf life: Two years

Designation: NR - Non reusable (single shift use only)

Disposal: Used products should be disposed as hazardous waste in accordance with national regulations

Marking: PPE marking, FFP3 NR, CE, EN 149:2001+A1:2009

Materials:

180gsm spun lace non-woven fabric

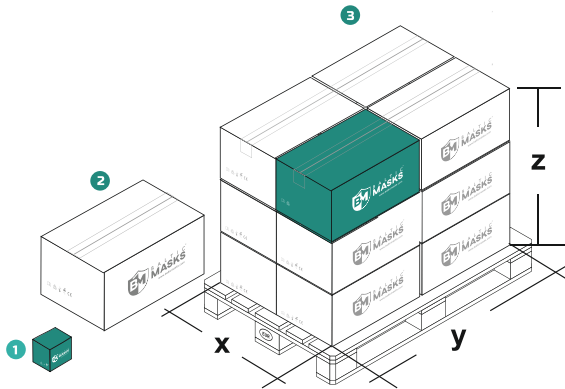
40g melt blow fabric

40g melt blow fabric

150gsm spunlace non-woven fabric

Mask weight: 24 grams

Packaging

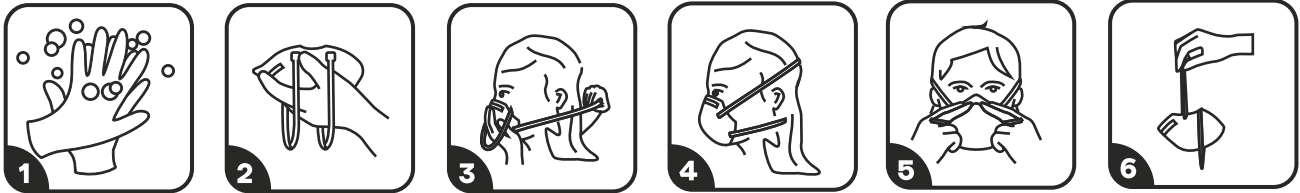


- 1** **Size:** 200mm(y) x140(x)mm x170(z)mm
Weight: 100g
Quantity: 1 pack (10pcs.)
- 2** **Size:** 580mm(y) x420(x)mm x530(z)mm
Weight: 9.9kg
Quantity: 24 pack (240pcs.)
- 3** **Size:** 1160mm(y) x840(x)mm x1590(z)mm
Weight: 119kg
Quantity: 12 box (2880pcs.)

Storage Conditions and Shelf Life The filter masks have to be stored in their packets to retain their properties. Shelf life of unopened product is 2 years from date of manufacture when stored within temperature range of -20°C to +40°C and at less than 80% relative humidity.

HOW TO WEAR

Please read these instructions thoroughly before use



1. Wash or disinfect hands before taking out the mask off the package. Avoid touching the inner surface of the mask.
2. Place respirator against your face, with the bottom under chin and metal nose clip across bridge of nose.
3. Pull the bottom head band over your head and place around the neck below the ears.
4. Next pull the top head band over your head and place at the top back of your head
5. Use both hands to bend the metal nose clip to fit snugly against your nose and face. The respirator can fit as well if you pinch the metal nose clip using two hands. Slide fingers down both sides of metal nose clip to seal it against your nose and face.
6. Do not touch the mask while use. If so, wash or disinfect your hands.

Instructions to remove and discard the mask:

1. Use thumbs and index fingers to remove head bands.
2. Carefully dispose the used mask.
3. Wash or disinfect your hands.

WARNING

This respirator helps to protect against certain particles. Misuse can result in sickness. For proper use please see instructions